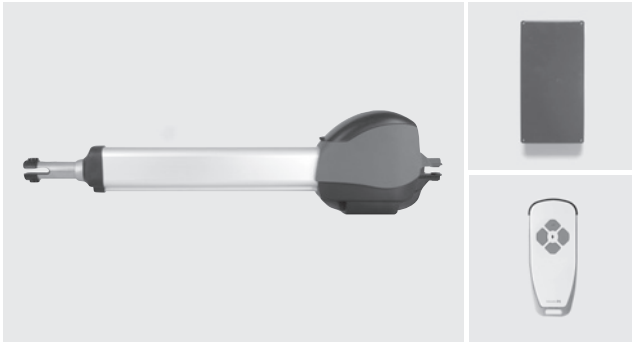


# Comfort 525

Opener systems for swing gates

1  
Swing gate openers



## Comfort 525, 525 L

2  
Sliding gate openers

Article	Article no.	Price each
Piston rod opener Comfort 525 single-wing version	101 062	
double-wing version	101 063	
double-wing version with accessories as a set in one box	C525SET	
Piston rod opener Comfort 525 L single-wing version	101 064	
double-wing version	101 065	

3  
Radio accessories

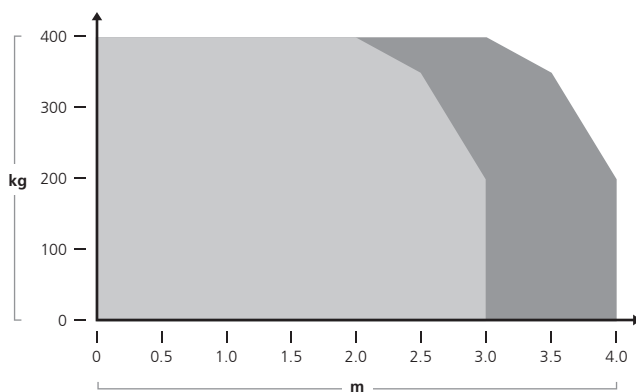
### Package

- First and second motor unit, pre-cabled 1,500 mm
- Separate control unit Control x.52
- Digital 921 module receiver, 868 MHz bi-linked
- Digital 663 mini hand transmitter 3-channel, 868 MHz bi-linked
- Fittings, gate and post brackets (die-casted and blue chromated)
- Mounting material

4  
General accessories

- C525SET additionally:
- Special 633 one-way photocell with connecting cable, 20,000 mm
  - Control 950 signal light LED yellow with wall support

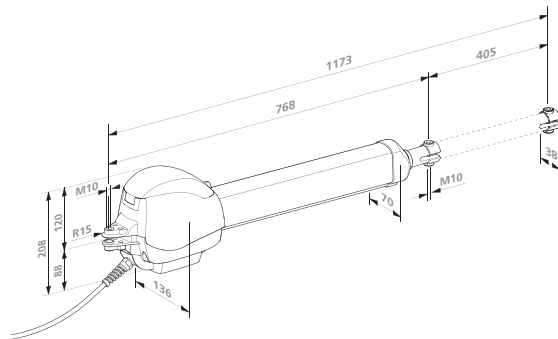
### Diagram of wing weights and wing widths



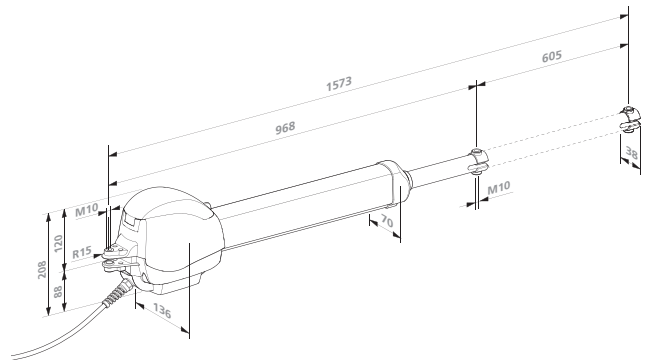
● Comfort 525    ● Comfort 525 L

### Dimensioned drawing

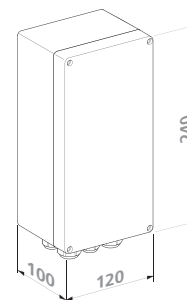
Comfort 525



Comfort 525 L



Control x.52



# Information

## Opener systems for swing gates

1 Swing gate openers

2 Sliding gate openers

3 Radio accessories

4 General accessories

Comfort 515 / 516

Comfort 515 L / 516 L

Comfort 525

Comfort 525 L

Comfort 530 L

### Application

		Comfort 515 / 516	Comfort 515 L / 516 L	Comfort 525	Comfort 525 L	Comfort 530 L
Wing width (max.)	mm	2,500	3,500	3,000	4,000	3,500
Wing height (max.)	mm	2,000				
Wing weight (max.)	kg	200		400		350
Gradient (max.)	%	0			0*	
e-measurement	mm	0 to +160	0 to +260	0 to +160	0 to +260	+100 to +200

For stability purposes of the closed gate wings we recommend to install a mechanical stop.

The gate details listed above are not binding recommendations for easily movable gates; at higher wind loads the wind and drive moments must be checked, adapted and expanded with additional safety devices, if necessary.

\* Gradient only in combination with optional accessories.

### Mechanical details

		Comfort 515 / 516	Comfort 515 L / 516 L	Comfort 525	Comfort 525 L	Comfort 530 L
Push and pull force (max.)	N	1,000			3,000	
Torque (max.)	Nm	-				
Door travel speed (max.)	mm/s	15 to 20				
Opening angle (max.)	°	120		115		
Opening time (gate-specific)	s	15 to 25				
Length of travel	mm	413.5	613.5	405	605	600

### Electrical details

Nominal voltage	V	230				
Nominal frequency	Hz	50				
Power consumption	A	3.2				
Power input in operation (approx.)	kW	0.4				
Power input in stand-by (approx.)	W	3.2				
Operation mode (duty cycle)		S2 – 5 min				
Motor voltage	V DC	24				
Control voltage	V DC	24				
Protection category motor unit	IP	44				
Protection category control unit	IP	65				
Protection class		I				

### General details

Weight motor unit (approx.)	kg	5.4	6.4	7.5	8.5	7.0
Weight control unit (approx.)	kg	2.4				
Range of temperature motor unit	°C	-20 to +60				
Range of temperature control unit	°C	-20 to +60				

# Information

## Opener systems for swing gates

1  
Swing gate openers

2  
Sliding gate openers

3  
Radio accessories

4  
General accessories

	Comfort 515 / 515 L	Comfort 516 / 516 L	Comfort 525 / 525 L	Comfort 530 L
<b>Features</b>				
Economy mode	•	•	•	•
Contact-free limit switches	•			
Reference point technology		•	•	•
Soft start/soft stop/soft run	•	•	•	•
Electronic push-open security	•	•	•	•
Excess travel stop	•	•	•	•
Lockable emergency release (accessible from outside)	•	•	•	•
Integrated environment lighting				
Integrated evaluation 8,2 kΩ	•	•	•	•
Marantec EOS programming	•	•	•	•
Programming and status indication via LED	•			
Programmierung und Programming and status indication via LC display		•	•	•
Direction of rotation programmable		•	•	•
Automatic closing function (only usable in combination with photocell)	•	•	•	•
Door open duration and warning time programmable	•	•	•	•
Lighting duration programmable	•	•	•	•
Lighting switchable via radio		•	•	•
Automatic cut-out OPEN and CLOSE separately programmable	•	•	•	•
Walk-in wing function programmable (double-wing systems)	•	•	•	•
Partial opening programmable (single-wing systems)		•	•	•
Gate travel speed OPEN and CLOSE separately programmable	•	•	•	•
Soft run position OPEN and CLOSE separately programmable		•	•	•
Soft run speed OPEN and CLOSE separately programmable	•	•	•	•
Relay output programmable: signal light, gate position OPEN or CLOSE, wiping impulse (1 s), malfunction, lighting	•	•	•	•
Servicing counter and door cycle counter		•	•	•
Servicing interval programmable		•	•	•
Fault messages	•			
Fault messages with memory		•	•	•
Simple reset function	•			
Multistage reset function (control unit, safety, remote etc.)		•	•	•
<b>Connection for:</b>				
Push button (conventional)	•	•	•	•
Push button (MS-Bus)		•	•	•
Marantec photocell OPEN and CLOSE (conventional)	•	•	•	•
Other's photocell CLOSE (conventional)	•			
Other's photocell OPEN and CLOSE (conventional)		•	•	•
Hold circuit (conventional)	•	•	•	•
Closing edge safety device 8,2 kOhm OPEN and CLOSE (conventional)	•	•	•	•
Signal light 24 V DC (conventional)	•	•	•	•
Electrical lock 24 V DC (conventional)	•	•	•	•
Battery backup	•	•	•	•
Power supply for external elements 24 V DC (max. mA) (conventional)	50	50	50	50