

Comfort 360, 370, 380





Article

Article no.	Description
183504	Comfort 360 Set for garage doors up to 110 kg: 24 V-DC motor, 650 N, 22 cm/s
183505	Comfort 370 Set for garage doors up to 185 kg: 24 V-DC motor, 850 N, 23.5 cm/s
183506	Comfort 380 Set for garage doors up to 220 kg: 24 V-DC motor, 1,100 N, 18 cm/s

Scope of Delivery

- Motor unit with integrated control
- Digital 921 Module receiver, 868 MHz bi.linked
- Digital 564 Mini handheld transmitter 4-channel, 868 MHz bi.linked
- Digital 572 Micro hand-held transmitter 2-channel, 868 MHz bi.linked
- Universal installation set for up-and-over and sectional doors
- Power cable with Euro plug type C, 1,500 mm

Features

Opener

- DC motor: soft start and stop are gentle on the door, separately adjustable opening and closing speeds enable fast opening and standard-compliant closing
- Integrated control with illuminated LC display and easy programming
- Connections for pushbutton, light barrier, wicket door contact, battery backup and expansion boards for retrofitting additional functions
- 2-sides and to the sides radiating LED illumination
- Fast and powerful
- Battery backup can be integrated in the housing

Structure and connection

- Connection (conventional) for pushbutton, light barrier and holding circuit
- Connection (MS-Bus) for expansion boards (boards can be integrated)
- Connection (MS bus) for handheld programmer and expansion modules
- Connection for battery backup
- Output 24 V-DC, max. 50 mA

Operation

- Marantec EOS programming
- Programming and status message via LC display
- Programming and diagnostics possible via optional external handheld programmer
- Programming and diagnostics possible via maveo pro by smartphone app

End position setting

- Electronic limit stop

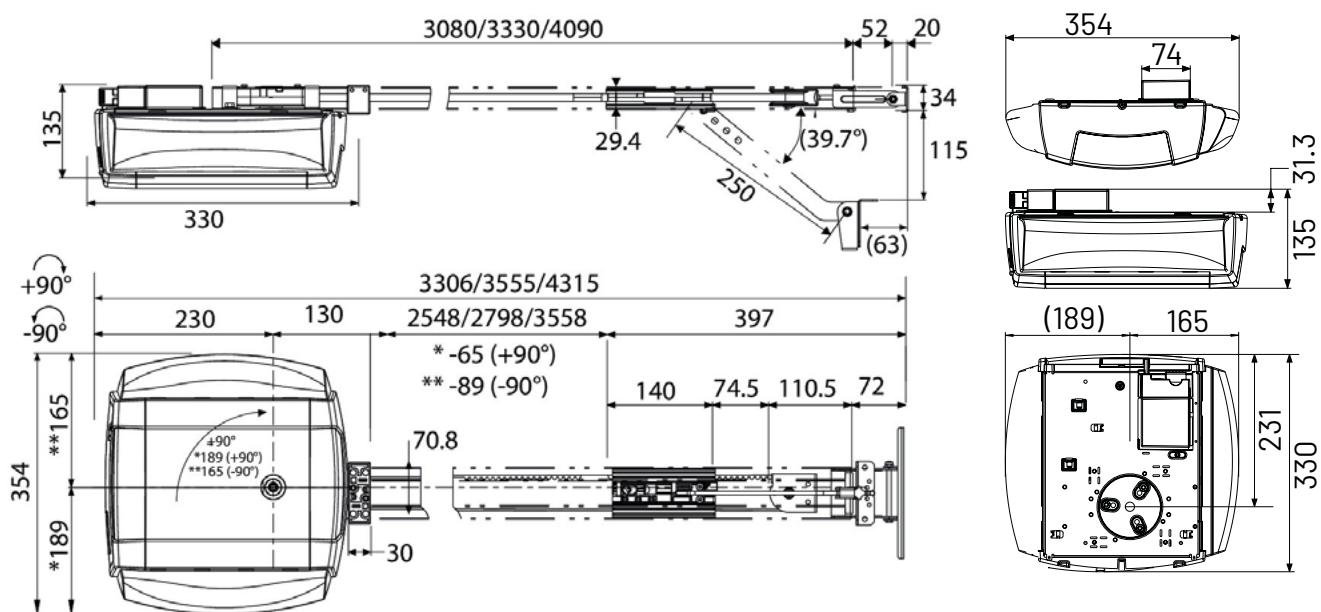
Functions

- Power saving technology blue line
- Soft start/soft stop/soft run
- Electronic anti-deferral device
- Blocking protection
- Runtime limit
- Reversal of direction of rotation programmable
- Backjump (relief of the closing edge)
- Automatic feed function (can only be used in conjunction with a light barrier)
- Intermediate position OPEN and CLOSED separately programmable
- Gate travel speed OPEN and CLOSE separately programmable
- Soft run position OPEN and CLOSE separately programmable
- Soft run speed OPEN and CLOSE separately programmable
- Frame function (blanking of frame light barriers)
- Programmable pulse input and output
- Cycle counter
- Maintenance interval programmable
- Error signaling with error memory
- Multi-level reset function (control, safety, radio, etc.)

Technical Data

	Comfort 360	Comfort 370	Comfort 380
Tensile and compressive force (max.) [N]	650	850	1,100
Running speed (max.) [cm/s]	22	23.5	18
Cycles per hour (max.)*	2	4	6
Cycles per day (max.)	20	32	60
Operating voltage [V]	230 V/1~		
Illuminant	2x 10-LED-Modul		

Technical Drawings



Scope of Operation

	Comfort 360	Comfort 370	Comfort 380
Width overhead doors (max.) [m]	3,5	5	6
Width of tipping and canopy gates (max.) [m]	3,5	5	6
Height of tilt and canopy gates (max.) [m]	2,25	2,25	2,25
Width of single-wall sectional doors (max.) [m]	5	5,5	6
Width of double-walled sectional doors (max.) [m]	3	5,5	6
Gate weight (max.) [kg]	110	185	220

Opener-Specific Accessories



SZ 11

Drive rail for garage door openers, 3.08 m profile length, 0.8 mm thickness, toothed belt, 1-piece

177207
131,00 €



Digital 564

4-channel mini handheld transmitter, unidirectional, 868 MHz bi.linked

101106
59,00 €



Digital 572

2-channel micro handheld transmitter, unidirectional, 868 MHz bi.linked

101115
54,00 €

Technical Data - Product Overview

	Comfort 260	Comfort 270	Comfort 280	Comfort 260 speed	Comfort 270 speed	Comfort 260 accu
Width overhead doors (max.) [m]	3,5	5	6	3,5	5	3,5
Width of tipping and canopy gates (max.) [m]	3,5	5	6	3,5	5	3,5
Height of tilt and canopy gates (max.) [m]	2,25					
Width of single-wall sectional doors (max.) [m]	5	5,5	6	5	5,5	5
Width of double-walled sectional doors (max.) [m]	3	5,5	6	3	5,5	3
Gate weight (max.) [kg]	90	165	200	110	185	90
Tensile and compressive force (max.) [N]	550	750	1,000	650	850	550
Running speed (max.) [cm/s]	16			22	23.5	16
Cycles per hour (max.)*	2	4	6	3	4	2
Cycles per day (max.)	16	28	48	20	32	16
Operating voltage [V]	230 V/1~					24 V-DC
Nominal frequency [Hz]	50/60					
Rated current [A]	1,1					
Power consumption [VA/W/kW]	0.25 kW					0.12 kW
Power consumption in standby [VA/W/kW]	4 W					0.1 W
Motor voltage [V]	24 V-DC					
Control voltage [V]	24 V-DC					
Protection class	II					
Protection class	IP20					
Illuminant	8-LED-Modul					
Continuous sound pressure level (max.) [dB(A)]	70					
Temperature (min./max.) [°C]	-20/60					
Dimensions (WxHxD) [mm]	190x125x360					
Weight [kg]	3,2	3,5	3,8		4,4	3,2

Technical Data - Product Overview

	Comfort 360	Comfort 370	Comfort 380	Comfort 390	Comfort 390 plus
Width overhead doors (max.) [m]	3,5	5	6		
Width of tipping and canopy gates (max.) [m]	3,5	5	6		
Height of tilt and canopy gates (max.) [m]	2,25				
Width of single-wall sectional doors (max.) [m]	5	5,5	6		
Width of double-walled sectional doors (max.) [m]	3	5,5	6		
Gate weight (max.) [kg]	110	185	220	240	
Tensile and compressive force (max.) [N]	650	850	1,100	1,200	
Running speed (max.) [cm/s]	22	23.5	18	16	
Cycles per hour (max.)*	2	4	6	18	
Cycles per day (max.)	20	32	60	300	
Operating voltage [V]	230 V/1~				
Nominal frequency [Hz]	50/60				
Rated current [A]	1,1				
Power consumption [VA/W/kW]	0.25 kW				
Power consumption in standby [VA/W/kW]	0.6 W			3.5 W	
Motor voltage [V]	24 V-DC				
Control voltage [V]	24 V-DC				
Protection class	II				
Protection class	IP20				
Illuminant	2x 10-LED-Modul			ohne	
Continuous sound pressure level (max.) [dB(A)]	70				
Temperature (min./max.) [°C] [°C]	-20/60				
Dimensions (WxHxD) [mm]	360x135x335				
Weight [kg]	4,3	4,9		5	

Garage Door Openers





Comfort 260, 270, 280



Comfort 260, 270 speed



Comfort 260 accu



Comfort 360, 370, 380



You want your own labeling on our garage door openers?

Almost all of the following products are also available on request as a neutral variant or with your very own labeling.